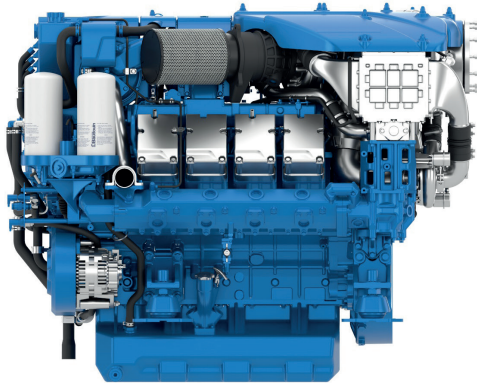




8F21

Common rail diesel engine, 2-stage turbocharging

Common rail diesel engine,
2-stage turbocharging



Number of cylinders	8
Bore and stroke (mm)	127 x 165
Total displacement (L)	16.7
Engine rotation	counter clockwise
Idle speed	700
Flywheel	SAE 14"
Flywheel housing	SAE 1

Customer benefits

Most advanced Common Rail technology and high-end injection system (2200 bar), key to achieve strict emissions regulations and competitive performances

Highly efficient turbochargers optimized to operate with high performance keeping fuel consumption under control

Individual cylinder heads allowing easy maintenance

Key components made of highly reliable materials.

Rated power - Fuel consumption

Duty	kW	HP	RPM	Fuel consumption			IMO
				Optimum value	Rated power		
				g/kWh	g/kWh	l/h	
P3	809	1100	2300	211	215	212	II
P4	919	1250	2300	207	223	250	II
P5	1000	1360	2300	204	223	274	II

	P3	P4	P5
Application	Intermittent	Light	High performance
Engine load variations	Important	Very important	Important
Average Engine load factor	60%	60%	60%
Annual working time	1000 - 3000h	Less than 1500h	500h
Time at full load	2h each 12h	1h each 12h	1h each 12h

P1 Continuous Duty Typical applications:

- Deep sea trawlers
- Shrimps trawlers
- Sea going tug boats
- River tug boats
- Push boats
- Freighters
- Dredges
- LCT
- Ferries

P2 Heavy Duty Typical applications:

- Deep sea trawlers
- Shrimps trawlers
- Sea going tug boats
- River tug boats
- Push boats
- Freighters
- Dredges
- LCT
- Ferries

P3 Intermittent Duty Typical applications:

- Seasonal passenger vessels
- Fishing boats
- Pilot boats
- Commercial pleasure boats
- Pump boats
- Displacement sailboats
- Trawlers
- Bow thrusters

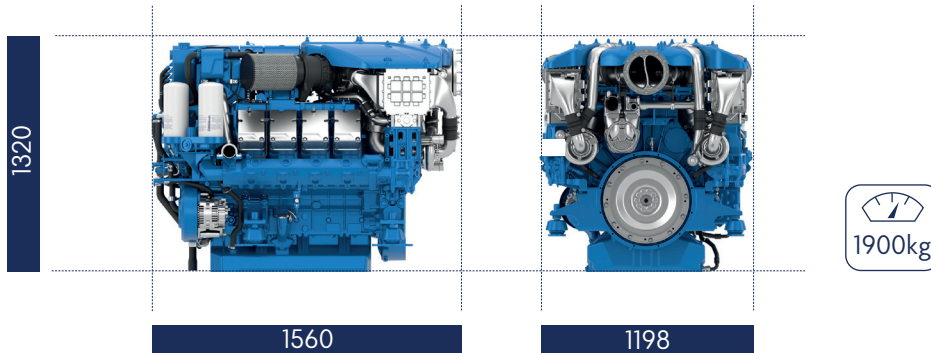
P4 Light Duty Typical applications:

- Private pleasure boats
- Multi-hull pleasure boats
- Survey or rescue fast vessels
- Military fast vessels.

P5 High performance Duty Typical applications:

- Private pleasure boats
- Multi-hull pleasure boats

Dimensions and dry weight (mm/kg)



Standard equipment

Engine & Block

Cast iron cylinder block
Separate cast iron cylinder heads
Replaceable valves guides and seats
Steel forged crankshaft with 5 bearings
Lube oil cooled light steel piston with 3 high performance piston rings

Cooling System

Two - stage cooling circuit with built - in HT thermostatic valve
Integrated fresh water expansion tank
High efficiency tubular heat exchanger
Gear driven centrifugal raw water pump
Self priming raw water pump with bronze impeller

Lubrication System

Full flow lube oil filters duplex type
Fresh water cooled lube oil heat exchanger

Fuel System

Common-rail electronic injection
High pressure pump with shielded high pressure injection rail and pipes
Fuel oil filter duplex type
External fuel pre-filter with water separator

Intake Air and Exhaust System

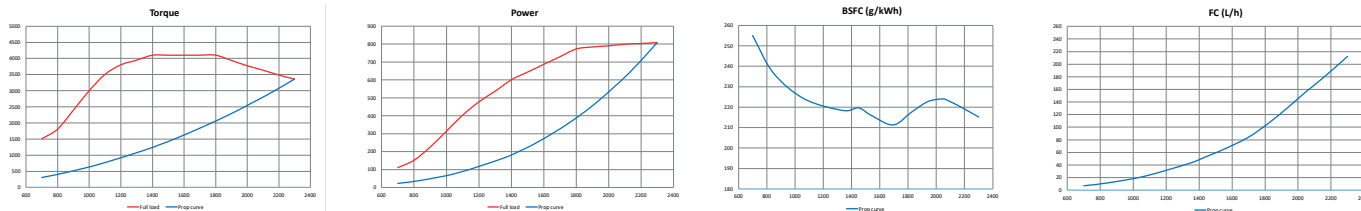
Double flow raw water cooled intake air heat exchanger module
High efficiency dry turbocharger with ball bearing technology
Two Stage Turbocharging system

Electrical System

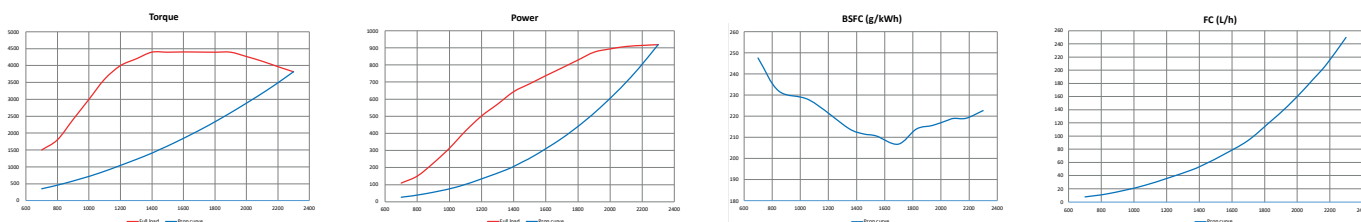
Voltage: 24V DC insulated
Electrical starter
190A battery alternator

Performance

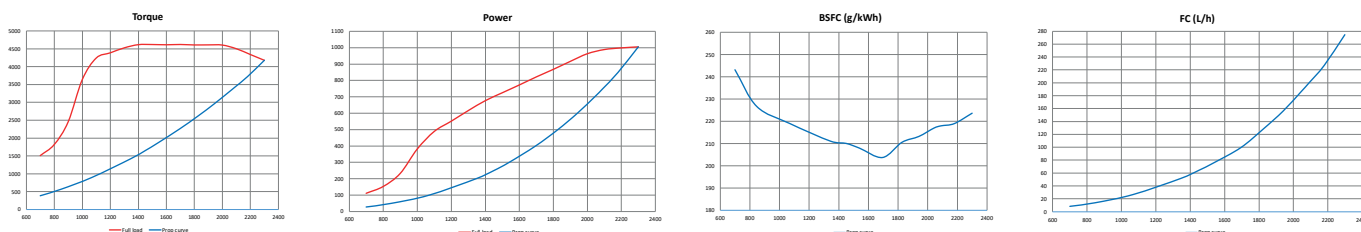
P3 - 809 kW - 2300 rpm



P4 - 919 kW - 2300 rpm



P5 - 1000 kW - 2300 rpm



Power definition

(Standard ISO 3046/1 - 1995 (F))

Reference conditions

Ambient temperature 25°C / 77°F
 Barometric pressure 100 kPa
 Relative humidity 30%R
 Raw water temperature 25°C / 77°F

Fuel oil

Relative density 0,840 ± 0,005
 Lower calorific power 42 700 kJ/kg
 Consumption tolerances + 5%
 (DIN ISO 3046-1)
 Inlet limit temperature 35°C / 95°F

Our ratings also comply with classification societies maximum temperature definition without power derating.

Ambient temperature 45°C / 113°F
 Raw water temperature 32°C / 90°F