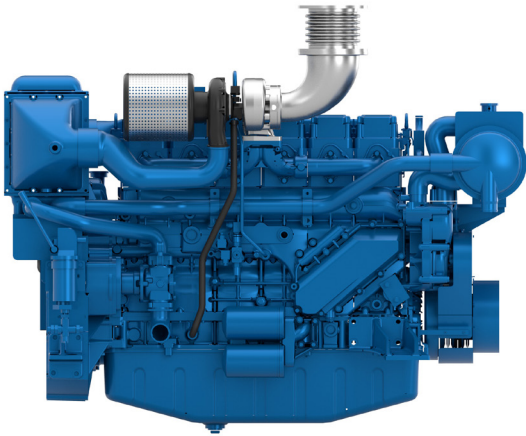


# 6W126

Propulsion Diesel Engine



Number of cylinders	6 in line
Bore and stroke (mm)	126 X 155
Total displacement (L)	11.6
Compression ratio	18/1
Engine rotation	counter clockwise
Idle speed (rpm)	600
Flywheel	SAE 1
Flywheel housing	SAE 14"

### Customer benefits

**Genuine marine design**, our engine is designed specifically for Marine applications with Marine components

**Global environment care** with low exhaust emissions at any running cycle

**Simple technology** with mechanical injection

**Life cycle cost efficiency** with extended MTBO, modular concept reducing number of components and interfaces

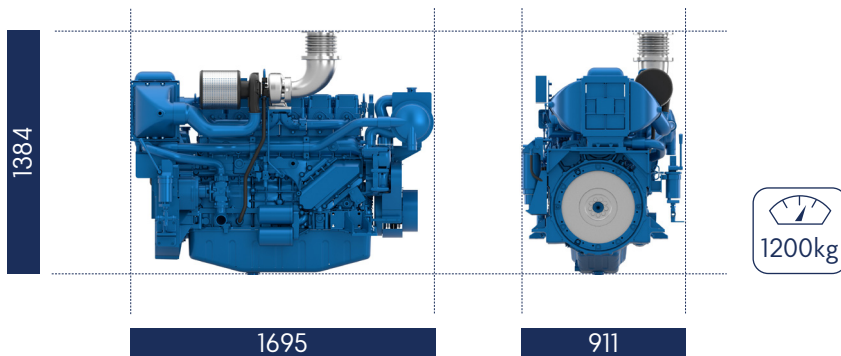
### Rated power - Fuel consumption

Duty	kW	HP	RPM	Fuel consumption			IMO	CCNR	CE97/68
				Optimum value		Rated power			
				g/kWh	g/kWh				
P1	294	400	1800	195	200	70	II	II	III A
P2	331	450	2100	197	210	83	II	II	IIIA

	P1	P2
Application	Unrestricted Continuous	Continuous (Heavy)
Engine load variations	Not important	Important
Average Engine load factor	80-100%	30-80%
Annual working time	More Than 5000 H	3000 -5000 H
Time at full load	Unlimited	8h Each 12h

<b>P1 Continuous Duty</b> <ul style="list-style-type: none"> <li>• Deep sea trawlers</li> <li>• Shrimps trawlers</li> <li>• Sea going tug boats</li> <li>• River tug boats</li> <li>• Push boats</li> <li>• Freighters</li> <li>• Dredges</li> <li>• LCT</li> <li>• Ferries</li> </ul>	<b>P2 Heavy Duty</b> <ul style="list-style-type: none"> <li>• Deep sea trawlers</li> <li>• Shrimps trawlers</li> <li>• Sea going tug boats</li> <li>• River tug boats</li> <li>• Push boats</li> <li>• Freighters</li> <li>• Dredges</li> <li>• LCT</li> <li>• Ferries</li> </ul>	<b>P3 Intermittent Duty</b> <ul style="list-style-type: none"> <li>• Seasonal passenger vessels</li> <li>• Fishing boats</li> <li>• Pilot boats</li> <li>• Commercial pleasure boats</li> <li>• Pump boats</li> <li>• Displacement sailboats</li> <li>• Trawlers</li> <li>• Bow thrusters</li> </ul>	<b>P4 Light Duty</b> <ul style="list-style-type: none"> <li>• Private pleasure boats</li> <li>• Multi-hull pleasure boats</li> <li>• Survey or rescue fast vessels</li> <li>• Military fast vessels.</li> </ul>	<b>P5 High performance Duty</b> <ul style="list-style-type: none"> <li>• Private pleasure boats</li> <li>• Multi-hull pleasure boats</li> </ul>
--	---	--	---	---

## Dimensions and dry weight (mm/kg)



## Standard equipment

### Engine & Block

Cast iron cylinder block, with replaceable cylinder liners  
 Separate cast iron cylinder heads  
 Replaceable valves guides and seats  
 Steel forged crankshaft with 7 bearings  
 Lube oil cooled light alloy piston with 3 high performance piston rings

### Cooling System

Fresh / raw water heat exchanger with integrated thermostatic valves and expansion tank  
 Cast iron centrifugal fresh water pump, mechanically driven  
 Bronze self-priming raw water pump, mechanically drive

### Lubrication System

Full flow screwable oil filters  
 Fresh water cooled lube oil cooler

### Fuel System

In line injection pump with flanged mechanical governor  
 Double wall injection bundle  
 Duplex fuel filters replaceable engine running  
 Water separator

### Intake Air & Exhaust System

Insulated exhaust gas manifold  
 Turbo blower with insulated turbine housing  
 Low water temperature cooled intake air cooler

### Electrical System

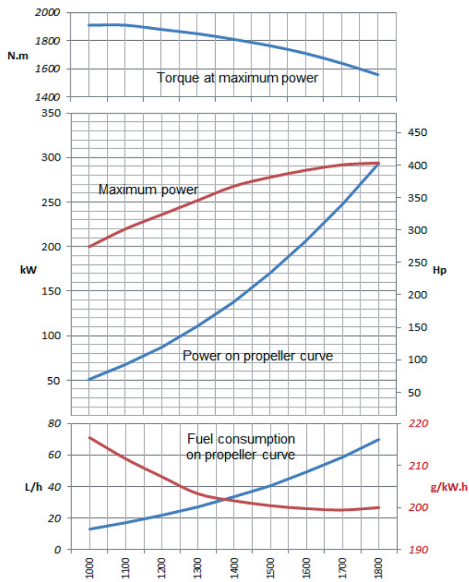
Voltage: 24Vcc  
 Electrical starter on flywheel crown  
 35A battery charger

### Optional Equipment

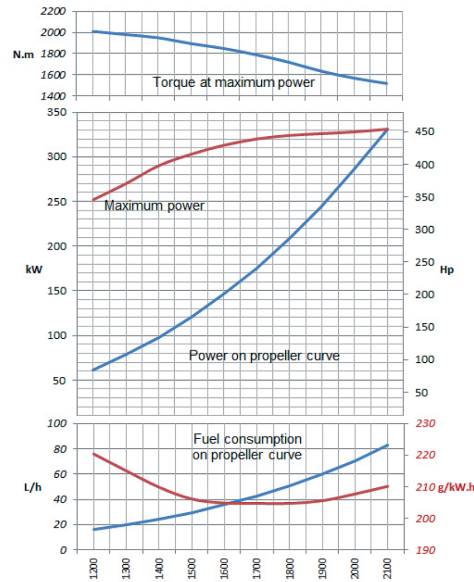
Cooling system adapted for box / keel cooling  
 Connection for emergency raw water circuit Resilient mounts under engine  
 Bilge pump  
 Air starter  
 Exhaust water injection after turbocharger  
 Resilient mounts under engine  
 Free end PTO

## Performance

P1 - 294 kW - 400 hp @1800rpm



P2 - 331 kW - 450 hp @2100rpm



## Power definition

(Standard ISO 3046/1 - 1995 (F))

### Reference conditions

Ambient temperature	25°C / 77°F
Barometric pressure	100 kPa
Relative humidity	30%R
Raw water temperature	25°C / 77°F

### Fuel oil

Relative density	0,840 ± 0,005
Lower calorific power	42 700 kJ/kg
Consumption tolerances	+ 5%
	(DIN ISO 3046-1)
Inlet limit temperature	35°C / 95°F

**Our ratings also comply with classification societies maximum temperature definition without power derating.**

Ambient temperature	45°C / 113°F
Raw water temperature	32°C / 90°F