

6M33

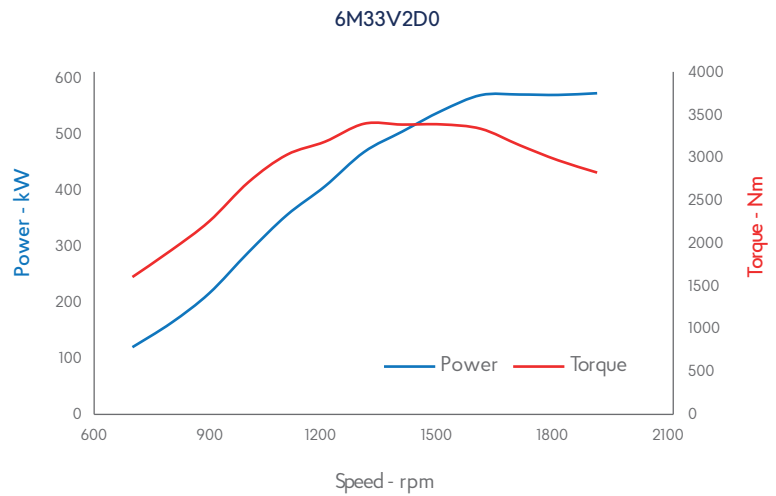
Variable Speed Engine

Engine Model	Rated Power	Peak Torque	Displacement	Cylinders	Voltage	Aspiration	Coupling		Throttle
							FWH	FW	
6M33V2D0	566 kW @ 1900 rpm	3412 Nm @ 1300 rpm	19.6L	L6	24V	T/A-A	SAE1	14"	ECU
6M33V4D0	670 kW @ 1900 rpm	3937 Nm @ 1300 rpm	19.6L	L6	24V	T/A-A	SAE1	14"	ECU

NA=Natural Aspirated, T=Turbocharged, T/A-A=Turbocharged & Air to Air aftercooled, T/A-W=Turbocharged & Air to Water aftercooled

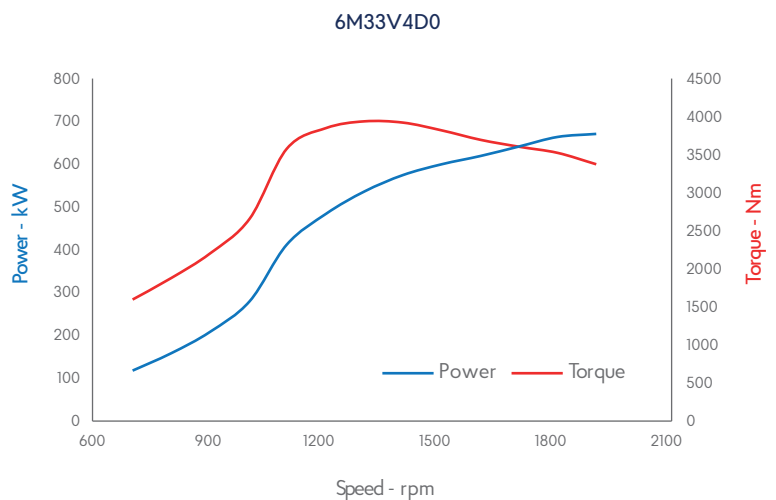
6M33V2D0 - Torque Curve

rpm	Nm	kW
1903	2838	566
1802	2982	563
1702	3160	563
1602	3352	562
1500	3404	535
1398	3402	498
1299	3412	462
1198	3201	402
1099	3047	351
1000	2727	286
898	2265	213
800	1927	161
699	1611	118



6M33V4D0 - Torque Curve

rpm	Nm	kW
1900	3372	671
1800	3522	664
1701	3602	642
1601	3693	619
1500	3818	600
1400	3920	575
1300	3937	536
1201	3849	484
1099	3576	412
1003	2656	279
900	2197	207
800	1875	157
700	1592	117





Customer benefits

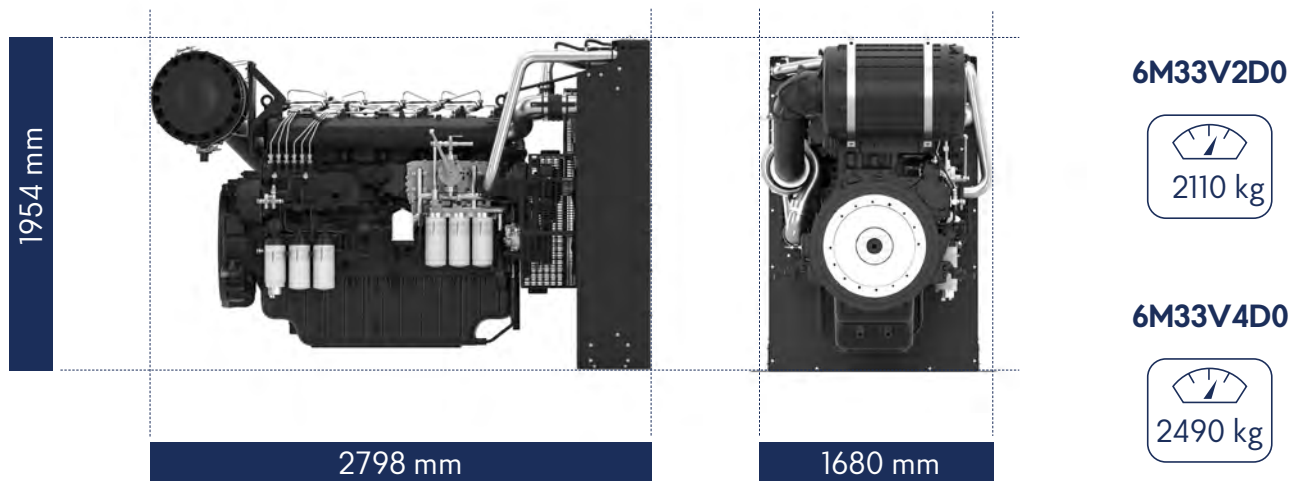
Optimized for Variable Speed: Delivers efficient performance across a wide range of operating speeds for both stationary and mobile applications.

Effortless Maintenance: Minimizes downtime with easy access to service.

Fuel Versatility: Engineered to handle the realities of varying fuel quality.

Unmatched Peace of Mind: Backed by a best-in-class warranty of 2 years / 2500 working hours for peace of mind.

Dimensions and dry weight



Standard equipment

Engine and block

Cast iron block
 One-piece forged crankshaft
 Separate cast iron cylinder heads and wet liners
 Aluminum alloy pistons with oil cooling gallery

Cooling system

Radiator and hoses supplied directly mounted on the engine
 Thermostatically-controlled system with belt driven coolant pump & pusher fan

Lubrication system

Flat bottom large capacity oil pan
 Spin-on full-flow lube oil filter

Fuel system

Optimum performance and efficient use of fuel for continuous duty
 Duplex fine filter for better efficiency

Air intake and exhaust system

Special rear mounted air filter with restriction indicator
 Exhaust manifold shield for heat isolating