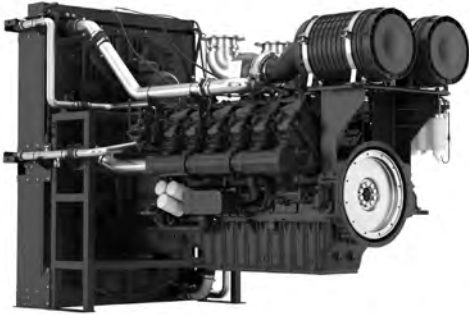


# 12M33

Variable Speed Engine



## Customer benefits

**Optimized for Variable Speed:** Delivers efficient performance across a wide range of operating speeds for both stationary and mobile applications.

**Effortless Maintenance:** Minimizes downtime with easy access to service.

**Fuel Versatility:** Engineered to handle the realities of varying fuel quality.

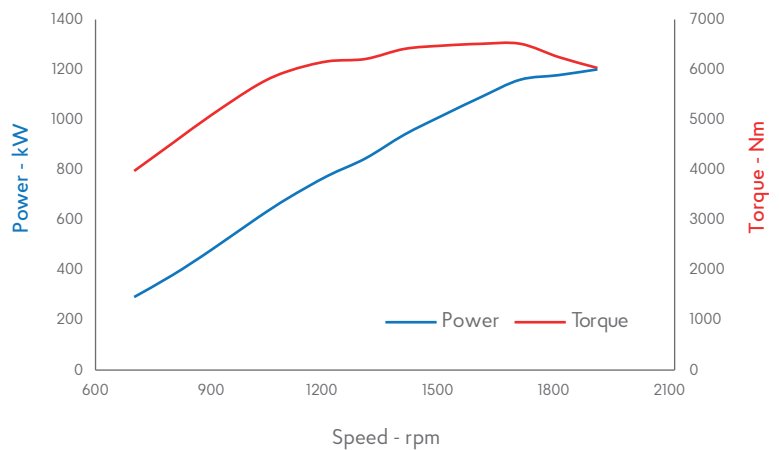
**Unmatched Peace of Mind:** Backed by a best-in-class warranty of 2 years / 2500 working hours for peace of mind.

Engine Model	Rated Power	Peak Torque	Displacement	Cylinders	Voltage	Aspiration	Coupling		Throttle
							FWH	FW	
12M33V6D0	1200 kW@ 1900 rpm	6516 Nm@ 1700 rpm	39.2L	V12	24V	T/A-A	SAE0	18"	ECU

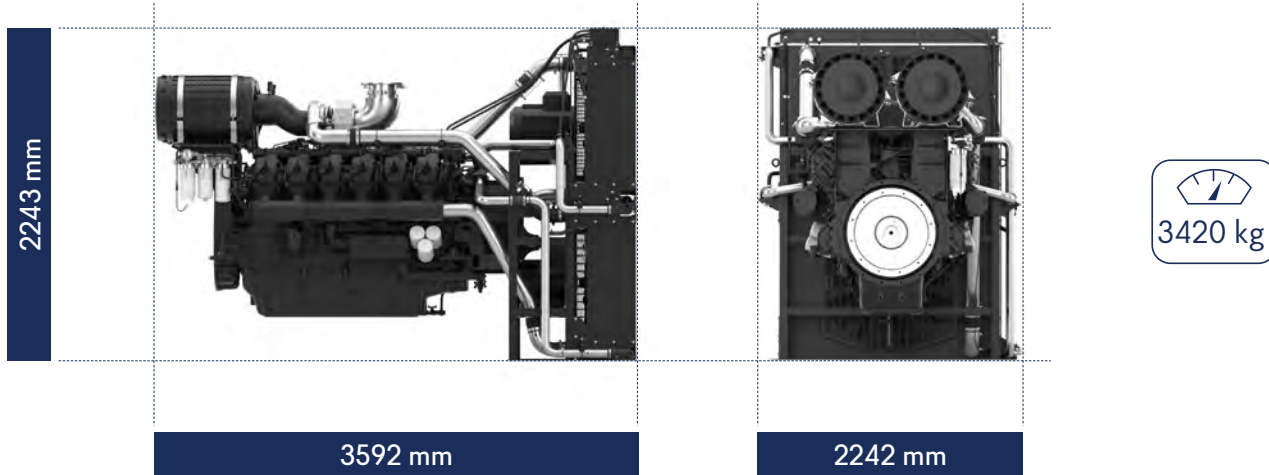
NA=Natural Aspirated, T=Turbocharged, T/A-A=Turbocharged & Air to Air aftercooled, T/A-W=Turbocharged & Air to Water aftercooled

## Torque Curve

rpm	Nm	kW
1900	6033	1201
1800	6249	1178
1700	6516	1160
1600	6515	1092
1500	6479	1018
1400	6413	940
1299	6212	845
1200	6164	775
1100	5972	688
1020	5698	609
899	5089	479
800	4537	380
700	3979	292



## Dimensions and dry weight



## Standard equipment

<b>Engine and block</b>	Cast iron block One-piece forged crankshaft Individual cast iron cylinder heads and wet liners Aluminum alloy pistons with oil cooling gallery
<b>Cooling system</b>	Radiator and hoses supplied directly mounted on the engine together with a pusher fan air cooling
<b>Lubrication system</b>	Flat bottom large capacity oil pan Spin-on full-flow lube oil filter
<b>Fuel system</b>	Optimum performance and efficient use of fuel for continuous duty Duplex fine filter for better efficiency
<b>Air intake and exhaust system</b>	Special rear mounted air filter with restriction indicator Exhaust manifold shield for heat isolating