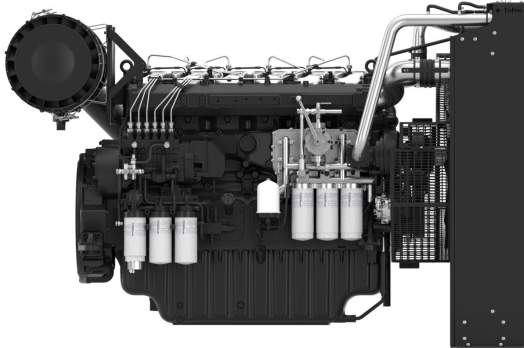


6M33

PowerKit Variable Speed Engine



Bore x Stroke (mm)	150 x 185
Displacement (L)	19.6
N° of Cylinders	6
Cylinders Arrangement	In line
Fuel System	Common Rail/ Mechanical
Governor (Gov.)	ECU/ Electronic
Aspiration (Asp.)	T/A-A

Customer Benefits

Variable speed engines optimised for use between 800 and 2200 rpm

Straightforward mechanical injection for easy maintenance

Strong tolerance to varying fuel quality

Peace of mind with best-in-class warranty of 2 years/2500 working hours

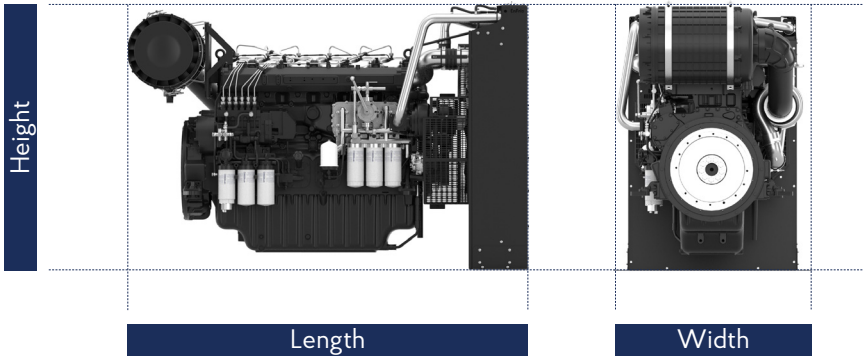
Variable Speed Engine	6M21								Throttle
	Maximum Power	Max Speed	Max Torque @Speed		Disp.	Asp.	Coupling		
							FWH	FW	
Model	kW	RPM							
6M33V2D0	565	1900	3400	1300	19.6L	T/A-A	SAE1	14"	E

Ratings definitions

Continuous Power (COP)

Continuous Power is the maximum power available for an unlimited period of use at a constant load factor. No overload capability is allowed.

Dimensions and dry weight (mm/kg)



Variable Speed Engine	Dimensions and dry weights including radiator			
Model	L (mm)	W (mm)	H (mm)	Weight (Kg)
6M33V2D0	2798	1680	1954	2110

* Dimensions are including the radiator

Standard equipment

Engine and block

Cast iron gantry type structure block
One-piece forged crankshaft
Separate cast iron cylinder heads and wet liners
Aluminum alloy pistons with oil cooling gallery

Cooling system

Radiator and hoses supplied directly mounted on the engine
Thermostatically-controlled system with belt driven coolant pump and pusher fan

Lubrication system

Flat bottom large capacity oil pan
Spin-on full-flow lube oil filter

Fuel system

Optimum performance and efficient use of fuel for continuous duty
Duplex fine filter for better efficiency

Air intake and exhaust system

Special rear mounted air filter with restriction indicator
Exhaust manifold shield for heat isolating

Electrical system

12V DC electric starter motor and battery charging alternator for 1500 rpm engines
24V DC electric starter motor and battery charging alternator for 1800 rpm engines

Flywheel and housing

SAE 3 flywheel housing and 11.5" flywheel for 1500 rpm
SAE 1 flywheel housing and 14" flywheel for 1800 rpm