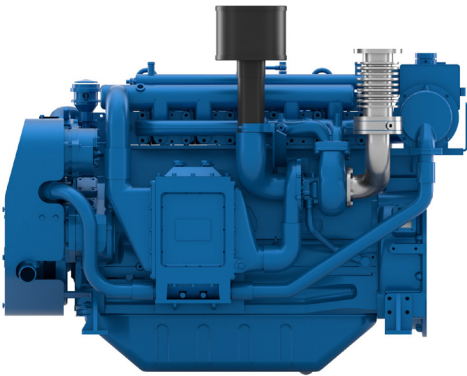




# 6W105

Auxiliary Diesel Engine



Number of cylinders	6 in line
Bore and stroke (mm)	105 X 130
Total displacement (L)	6.75
Compression ratio	18/1
Engine rotation	counter clockwise
Idle speed	700
Flywheel	SAE 3
Flywheel housing	SAE 11.5"

### Customer benefits

**Continuous compact power** with reference performances in its category

**Easy service** with accesible components and unit cylinder heads

**Simple technology** with mechanical injection

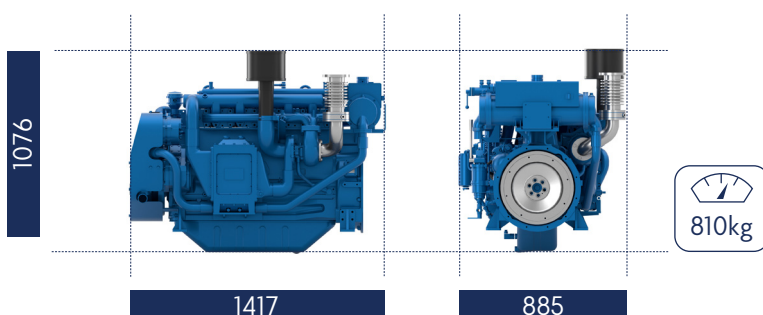
**Life cycle cost efficiency** with extended MTBO (Mean time between overhauls)

6W105				Fuel consumption		Emissions
Rating	HP	kW (PRP)	RPM	g/kWh	l/h	IMO
PRP	175	129	1500	193	30	NA
PRP	197	145	1800	204	35	II (C1-D2)

### Generator Sets Engines

Power Class	Definition
PRP	Prime Power Unrestricted running time Time at full load $\leq$ 500hrs/year Load variation $\leq$ 75% of rated power 10% overload 1hr/12hrs

### Dimensions and dry weight (mm/kg)



## Standard equipment

<b>Cooling System</b>	Two - stage cooling circuit with built - in HT thermostatic valve Integrated fresh water expansion tank High efficiency tubular heat exchanger Gear driven centrifugal raw water pump Self priming raw water pump with bronze impeller
<b>Lubrication System</b>	Full flow lube oil filters duplex type Fresh water cooled lube oil heat exchanger
<b>Fuel System</b>	Common-rail electronic injection High pressure pump with shielded high pressure injection rail and pipes Fuel oil filter duplex type External fuel pre-filter with water separator
<b>Intake Air and Exhaust System</b>	Double flow raw water cooled intake air heat exchanger module High efficiency dry turbocharger with ball bearing technology Two Stage Turbocharging system
<b>Electrical System</b>	Voltage: 24V DC insulated Electrical starter 190A battery alternator

<b>Optional Equipment</b>	Wet exhaust PTO elastic coupling Additional pulley Electric drain system Standard PTO for hydraulic pump Different alternators possible - including 12V Electrical rotary actuator
---------------------------	--

## Power definition

(Standard ISO 3046/1 - 1995 (F))

### Reference conditions

Ambient temperature	25°C / 77°F
Barometric pressure	100 kPa
Relative humidity	30%R
Raw water temperature	25°C / 77°F

### Fuel oil

Relative density	0,840 ± 0,005
Lower calorific power	42 700 kJ/kg
Consumption tolerances	+ 5%
	(DIN ISO 3046-1)
Inlet limit temperature	35°C / 95°F

**Our ratings also comply with classification societies maximum temperature definition without power derating.**

Ambient temperature	45°C / 113°F
Raw water temperature	32°C / 90°F