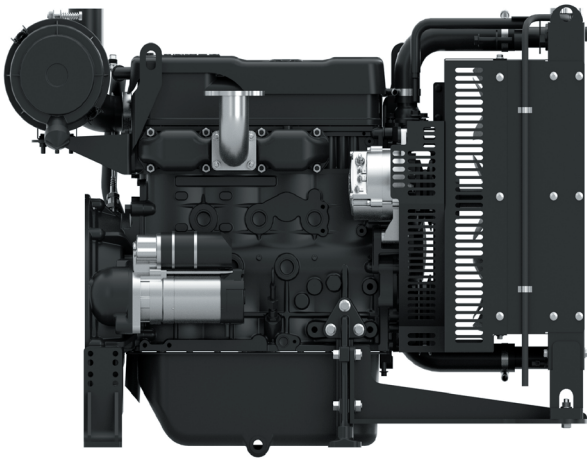




4M06

PowerKit Variable Speed Engine



Bore x Stroke (mm)	89 x 92
Displacement (L)	2.3
N° of Cylinders	4
Cylinders Arrangement	In line
Fuel System	Mechanical Pump
Governor (Gov.)	Mechanical
Aspiration (Asp.)	N - T - T/A-A

Customer benefits

- Variable speed engines optimised for use between 800 and 1800 Rpm
- Straightforward mechanical injection for easy maintenance
- Strong tolerance to varying fuel quality
- Peace of mind with best-in-class warranty of 2 years/2500 working hours

Variable Speed Engine					Coupling		
Model	Maximum Power KW _m (HP)	Cylinders config.	Asp.	Displ.	Housing	Flywheel	Gov
4M06V2D0	30 (40)	4-inline	NA	2.3	Sae 4	7,5"	Mech
4M06V4D0	41 (55)	4-inline	T	2.3	Sae 3	11,5"	Mech
4M06V6D0	47 (64)	4-inline	T	2.3	Sae 3	11,5"	Mech
4M06V8D0	58 (78)	4-inline	T/A-A	2.3	Sae 3	11,5"	Mech

Model		Engine max. gross power + Torque + Fuel Consumption										
		800 RPM	900 RPM	1000 RPM	1100 RPM	1200 RPM	1300 RPM	1400 RPM	1500 RPM	1600 RPM	1700 RPM	1800 RPM
4M06V2D0	kW _m	11	13	15	17	19	21	23	24	26	28	29
	N.m	132	137	142	147	152	153	155	155	156	156	154
	gr/kWh	496.	469	426	383	342	331	320	309	303	302	250
4M06V4D0	kW _m	14	17	21	26	28	30	33	35	37	39	37
	N.m	166	182	201	224	222	223	224	220	219	218	196
	gr/kWh	393	364	317	264	240	224	217	213	211	209	210
4M06V6D0	kW _m	15	19	23	29	35	40	42	44	46	48	47
	N.m	179	196	216	247	280	293	287	277	273	269	251
	gr/kWh	436	394	352	303	262	243	228	218	215	216	217
4M06V8D0	kW _m	13	17	23	30	37	42	47	51	55	59	60
	N.m	156	182	223	260	295	311	318	323	327	328	320
	gr/kWh	245	251	278	264	245	232	223	219	216	215	214

Standard equipment

Engine and block

Cast iron gantry type structure block
One-piece forged crankshaft
Separate cast iron cylinder heads and wet liners
Aluminum alloy pistons with oil cooling gallery

Cooling system

Radiator and hoses supplied directly mounted on the engine
Thermostatically-controlled system with belt driven coolant pump and pusher fan

Lubrication system

Flat bottom large capacity oil pan
Spin-on full-flow lube oil filter

Fuel system

Optimum performance and efficient use of fuel for continuous duty
Duplex fine filter for better efficiency

Air intake and exhaust system

Special rear mounted air filter with restriction indicator
Exhaust manifold shield for heat isolating

Electrical system

12V DC electric starter motor and battery charging alternator for

Flywheel and housing

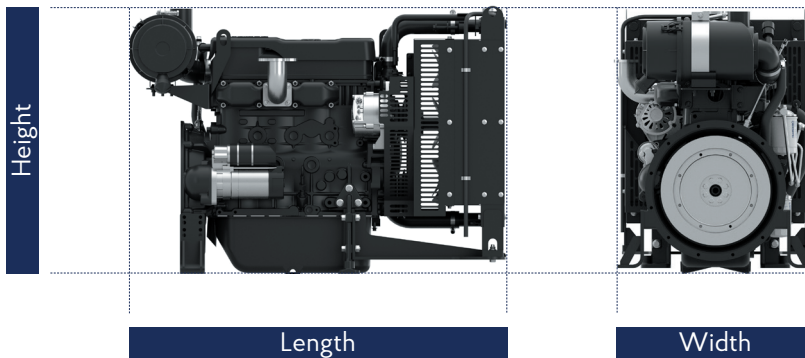
SAE 4 flywheel housing and 7.5" flywheel for 4M06V2D0
SAE 3 flywheel housing and 11.5" flywheel for 4M06V4D0, 4M06V6D0, 4M06V8D0

Ratings definitions

Continuous Power (COP)

Power and/or speed are cyclic. The maximum time at rated load and speed is not to exceed 80%. Engine average load factor is to be <85%.

Dimensions and dry weight (mm/kg)



Variable Speed Engine	Dimensions and dry weights including radiator			
Model	L (mm)	W (mm)	H (mm)	Weight (Kg)
4M06V2D0	1084	635	735	277
4M06V4D0	1084	635	735	277
4M06V6D0	1084	635	735	277
4M06V8D0	1084	635	735	277