

6 W105M

4 stroke diesel engine, direct injection



Not contractual picture

Bore and stroke	105 x 130 mm
Number of cylinders	6 in line
Total displacement	6.75 litres
Compression ratio	18/1
Engine rotation (ISO 1204 standard)	CCW *
Idle speed	650 rpm
Weight (without water & oil)	810 kg
Flywheel housing	SAE 3
Flywheel	SAE 11.5"

* counter-clockwise

RATED POWER

Duty	rpm	kW	hp	Peak torque / speed (N.m / rpm)	Full load fuel consumption (g / kW.h)	IMO
P2	2100	136	185	890 / 1100	211	II
P3	2425	168	228	782 / 1400	216	II
P4	2500	185	252	780 / 1400	226	-

STANDARD EQUIPMENTS

Engine and block

- Cast iron cylinder block, with replaceable cylinder liners
- Separate cast iron cylinder heads
- Replaceable valves guides and seats
- Steel forged crankshaft with 7 bearings
- Lube oil cooled light alloy piston with 3 high performance piston rings

Cooling system

- Fresh / raw water heat exchanger with integrated thermostatic valves and expansion tank
- Cast iron centrifugal fresh water pump, mechanically driven
- Bronze self-priming raw water pump, mechanically driven

Lubrication system

- Full flow screwable oil filters
- Fresh water cooled lube oil cooler

Fuel system

- In line injection pump with flanged mechanical governor
- Double wall injection bundle
- Duplex fuel filters replaceable engine running
- Water separator

Intake air and exhaust system

- Insulated exhaust gas manifold
- Turbo blower with insulated turbine housing
- Low water temperature cooled intake air cooler

Electrical system

- Voltage: 24Vcc
- Electrical starter on flywheel crown
- 35A battery charger

OPTIONAL EQUIPMENTS (extracts) *

- Cooling system adapted for box / keel cooling
- Connection for emergency raw water circuit
- Bilge pump
- Air starter

- Free end PTO
- Resilient mounts under engine
- Exhaust water injection after turbocharger

* contact us for further information regarding our options.

Power definition

Standard ISO 3046/1 - 1995 (F)

Reference conditions

Ambiant temperature 25 °C / 77 °F
 Barometric pressure 100 kPa
 Relative humidity 30 %
 Raw water temperature 25 °C / 77 °F

Limit conditions ISO 3046

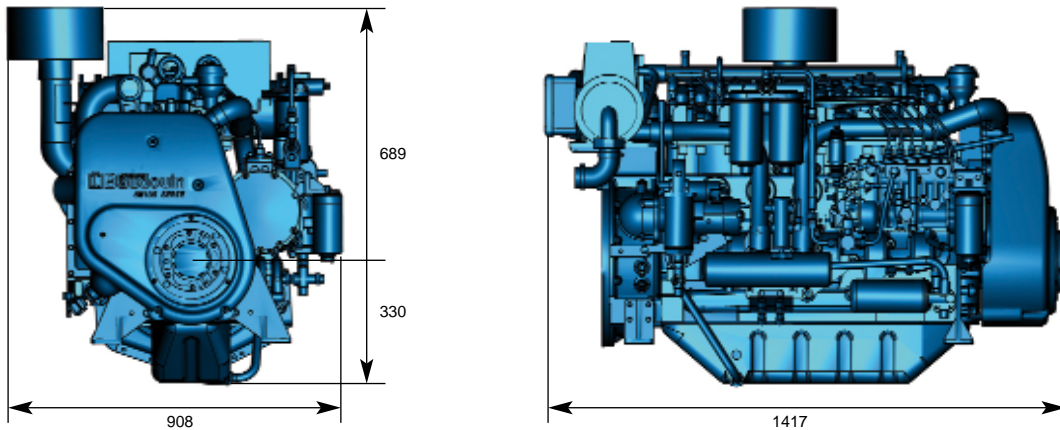
Fuel oil

Relative density 0,840 ± 0,005
 Lower calorific power 42 700 kJ/kg
 Consumption tolerances 0 ± 5 %
 Inlet limit temperature 35 °C / 95 °F

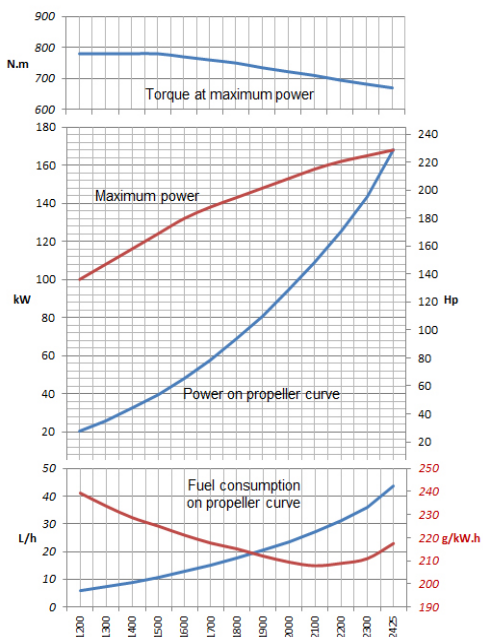
Our ratings also comply with classification societies maximum temperature definition without power derating.

Ambiant temperature 45 °C / 113 °F
 Raw water temperature 32 °C / 90 °F

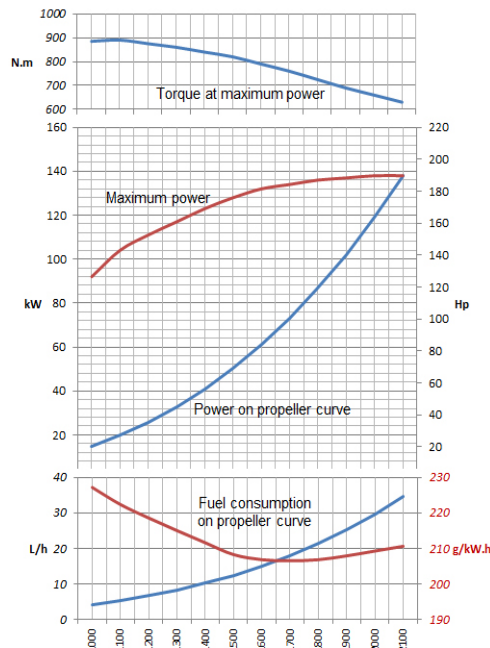
	P2 duty	P3 duty	P4 duty
Application	continuous	intermittent	high performance
Engine load variations	numerous	important	very important
Mean engine load factor	30 to 80 %	50 %	30 %
Annual working time	3000 to 5000 h	1000 to 3000 h	less than 1000 h
Time at full load	8 h each 12 h	2 h each 12 h	1 h each 12 h

DIMENSIONS**PERFORMANCES**

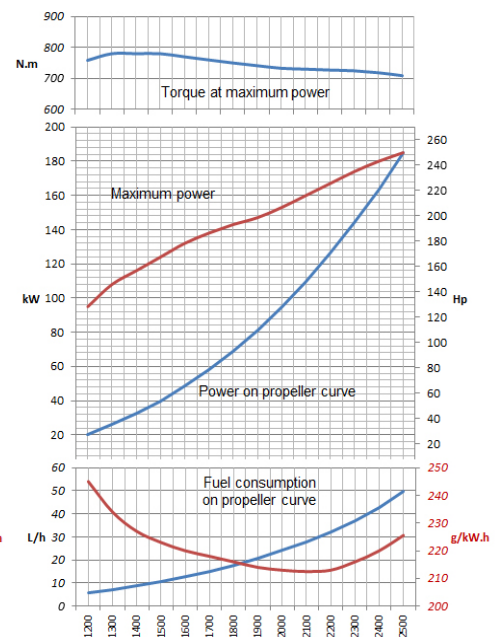
P2 rating - 136 kW / 185 hp @ 2100 rpm



P3 rating - 168 kW / 228 hp @ 2425 rpm



P4 rating - 185 kW / 252 hp @ 2500 rpm



Speed: rpm